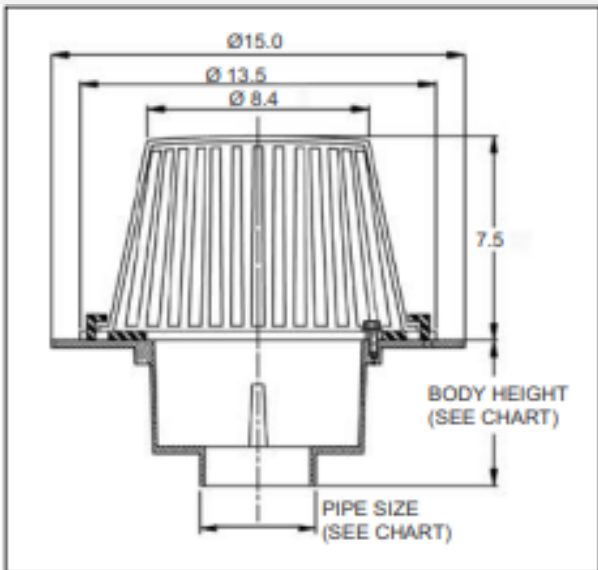


R1200

Note: (Reference #2 and #8) Hardware Kits (HS-2 and HS-3) provided contain standard 5/16" all threaded studs. Upon installation, excess rod may be cut to desired length for clean installation.

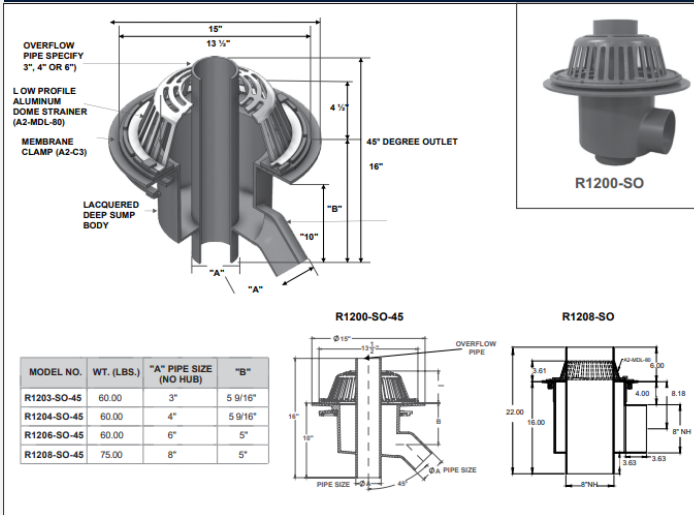
MIFABs R1200 Is Your Standard 15" Main Roof Drain



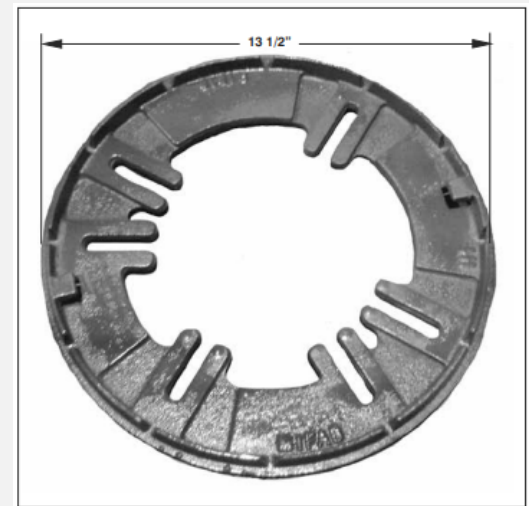
SPECIFICATION DRAINAGE PRODUCTS

WE CAN CROSS MOST, IF NOT ALL COMPETITORS PRODUCTS TO A MIFAB EQUIVALENT

R1200-SO-45



MIFABs R1200-SO-45 Is The Dual Outlet Main & Overflow Roof Drain



R1810

NOTE: Will also bolt directly onto roof drains from the following manufacturers: Josam, J.R. Smith, Wade, Watts and Zurn, and will accept MIFAB's greater free area (125in2) high profile polydome (A2-PD), low profile aluminum dome (A2-MDL-80) and / or A2-MD cast iron dome. Use with HS-9 hardware set. Use HS-2 hardware with MIFAB A2 bodies.

MIFABs Universal Membrane Clamp Can Be Used With Most Competitors Roof Drain Bodies To Make Retro Fit Easier

Manufacturers Rep Since 1955
PHILIP J LYNCH
 Reliability & Integrity



www.philipjlynchco.com
 (603) 458-6100
 quotes@philipjlynchco.com